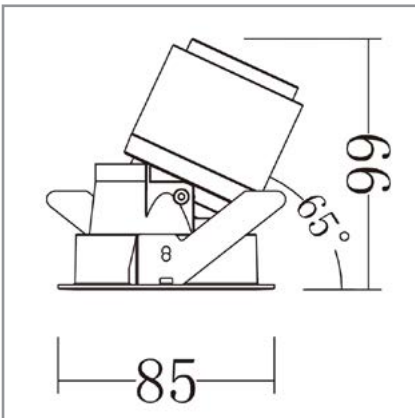


Verluisant Hotel Light - Round trim - D85mm – 10W - Black Chrome



DESCRIPTION

Verluisant Hotel Light is an innovative range of professional recessed antiglare downlights created to deliver energy saving lighting with excellent visual comfort and high color rendering index. Product configuration is able to meet challenging lighting performance requirements of 5-Star hotels and other high-end hospitality projects.



FEATURES

Reflector color:	White + Black Chrome (Blacklight Effect)
Body color:	Steel grey
Installation:	Adjustable Recessed, Ceiling
Material:	Aluminum
Series:	Architectural Indoor
Protection Level:	IP 20/ IP 44

DIMENSIONS

Diameter:	85 mm
Recessed depth:	99 mm
Cutout shape/size:	Rounded D75mm

LUMINAIRE

Watt:	8/10W Philips LED
Efficiency:	80-85 Lm/W
Voltage:	AC 185-265V, 50/60 Hz
CCT:	2700K/3000K/4000K
CRI:	95
Beam angle:	15/24/35 deg.
UGR:	< 16
LED Power supply:	Lifud/Eaglerise driver. Non-dimmable / Dimmable (DALI / 1-10V)

Warranty: 3 years

