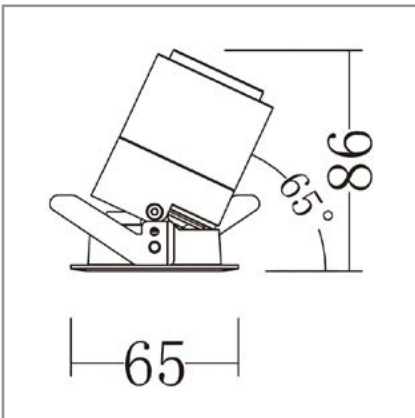


Verluisant Hotel Light - Round Trim - D65mm - 6W - Black Chrome



DESCRIPTION

Verluisant Hotel Light is an innovative range of professional recessed antiglare downlights created to deliver energy saving lighting with excellent visual comfort and high color rendering index. Product configuration is able to meet challenging lighting performance requirements of 5-Star hotels and other high-end hospitality projects.



FEATURES

| | |
|-------------------|--|
| Reflector color: | White + Black Chrome (Blacklight Effect) |
| Body color: | Steel grey |
| Installation: | Adjustable Recessed, Ceiling |
| Material: | Aluminum |
| Series: | Architectural Indoor |
| Protection Level: | IP 20/ IP 44 |

DIMENSIONS

| | |
|--------------------|----------------|
| Diameter: | 65 mm |
| Recessed depth: | 83 mm |
| Cutout shape/size: | Rounded D55 mm |

LUMINAIRE

| | |
|-------------------|--|
| Watt: | 6W Philips LED |
| Efficiency: | 80-85 Lm/W |
| Voltage: | AC 185-265V, 50/60 Hz |
| CCT: | 2700K/3000K/4000K |
| CRI: | 95 |
| Beam angle: | 15/24/35 deg. |
| UGR: | < 16 |
| LED Power supply: | Lifud/Eaglerise driver. Non-dimmable / Dimmable (DALI / 1-10V) |

Warranty: 3 years

